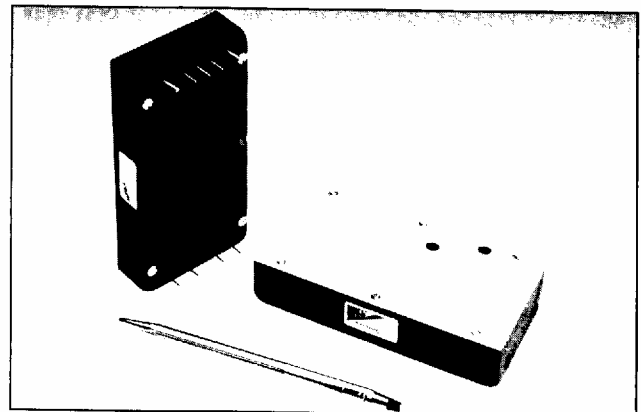


HD SERIES

UP TO 150 WATTS

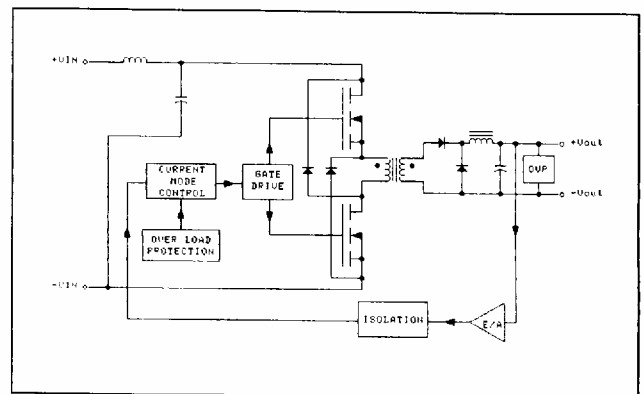
FEATURES

- Single, Dual and Triple Outputs
- Wide Input Voltage Range
- Active Current Sharing
- 2.4" x 4.6" Footprint
- Fixed Frequency Operation
- Five Year Warranty



The HD Series from Wall Industries

The HD Series of DC/DC converters boasts single, dual and triple output configurations from an industry standard footprint with up to 150 watts of output power. Appropriate for commercial applications, these ruggedized converters are fully encapsulated and stand one inch tall. Baseplates are equipped with six threaded inserts to accommodate chassis, cold-plate, or PC board mounting.



Single Simplified Schematic

SPECIFICATIONS

All specifications apply @ + 25°C ambient unless otherwise noted.

INPUT SPECIFICATIONS

Input Voltage Range	18-36, 20-60, 36-72VDC
Input Filter	Pi-Input Filter
Remote On/Off Control	Open Collector TTL

OUTPUT SPECIFICATIONS

Output Current	see table
Voltage Tolerance	± 1%
Output Trim (external)	± 10% (primary only)
Line Regulation	± 0.1%
Load Regulation	± 0.5%
Short Circuit Protection	continuous
Over Voltage Protection	self resetting crowbar
Ripple/Noise (20MHz BW)	1% of Vout
Output Transient Response	w/in 1% steady state value in 150 µSec for 25% load change

GENERAL SPECIFICATIONS

Efficiency	80% typical
Isolation Voltage, input to output	500 VDC
Isolation Resistance	100MΩ
Remote Sense (singles)	up to 0.3VDC drop in power leads
Switching Frequency	250KHz 'typical'
Turn On Delay	250mSec

ENVIRONMENTAL SPECIFICATIONS

Humidity	20% - 95% R.H. (non-condensing)
Temperature Coefficient	0.02% per °C
Operating Temperature	-25 to +85°C baseplate
Storage Temperature	-55 to +100°C

PHYSICAL SPECIFICATIONS

Dimensions	2.4 x 4.6 x 1.0"
Case Material	Black epoxy coated metal, aluminum baseplate

Due to advances in technology, specifications subject to change without notice.



